

# OWNER AND PARTS MANUAL

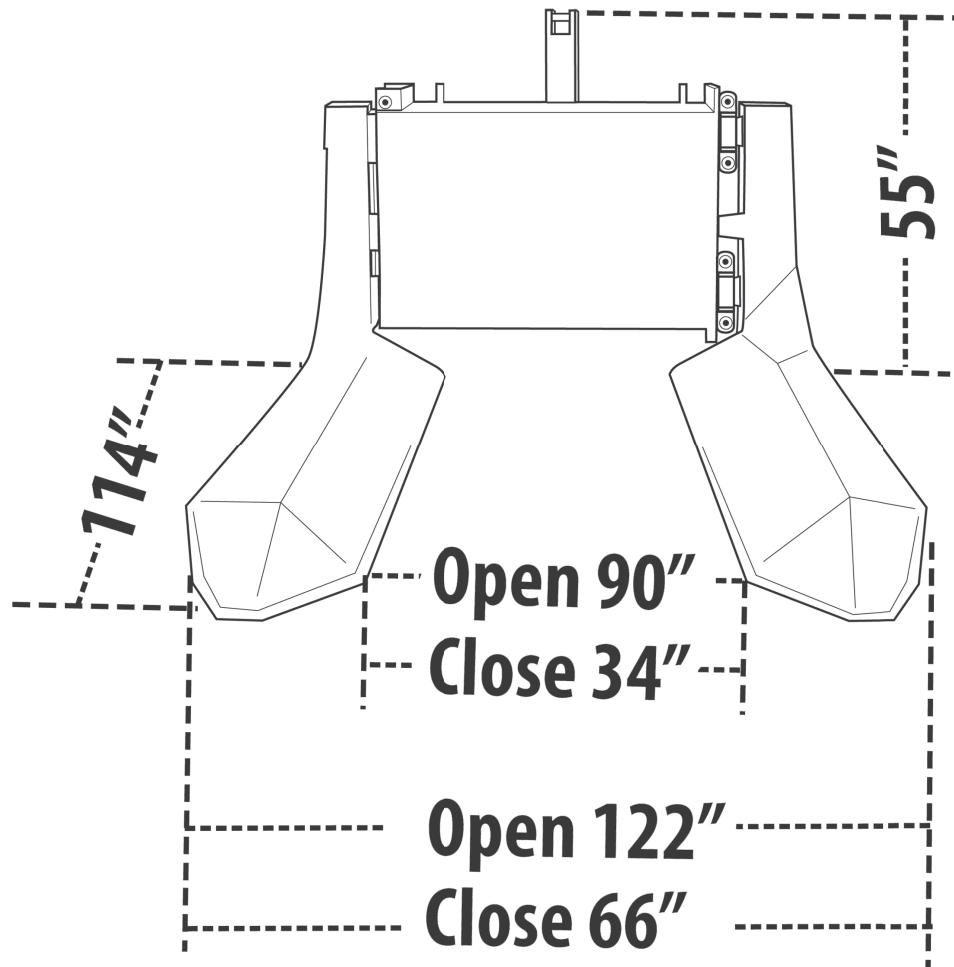
**MODEL: 07-RCBH-2085**



## **HEAVY DUTY ROUND COTTON BALE HANDLER**

Revised 5/24/17

# 07-RCBH-2085

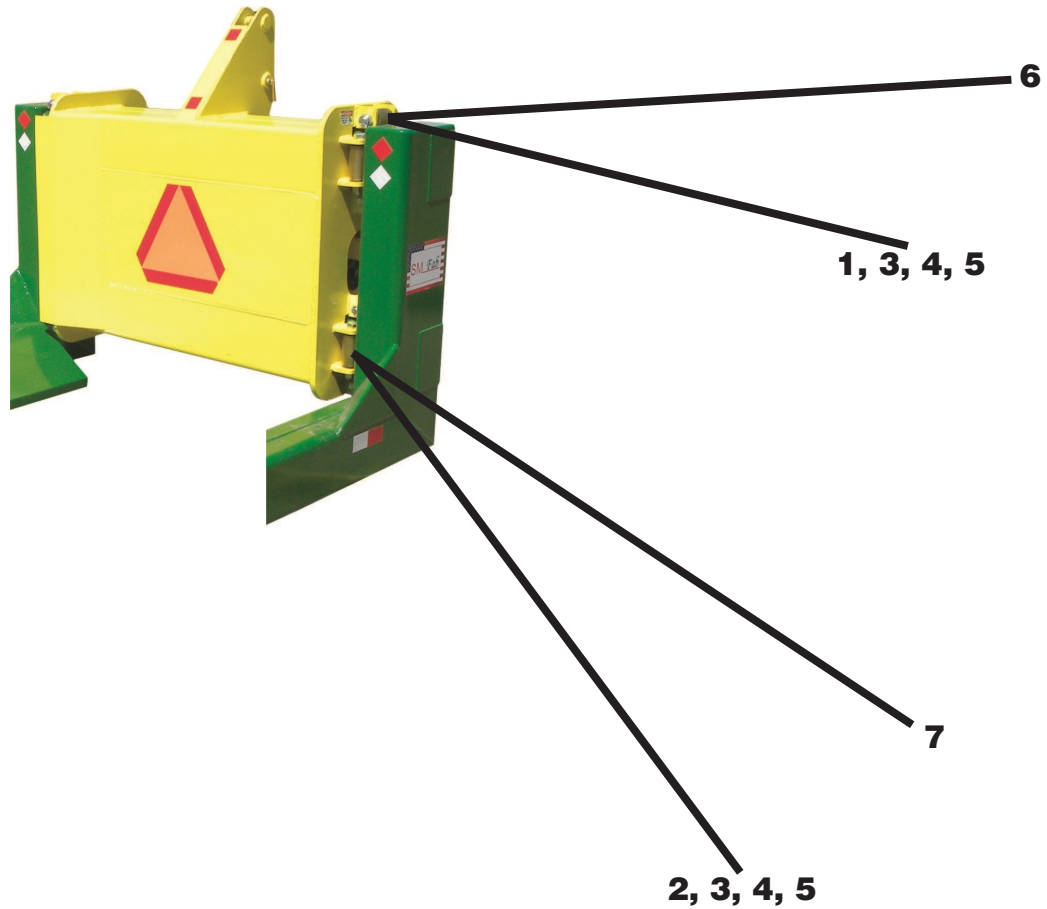


## DESCRIPTION

Heavy duty round cotton bale handler complete with cylinders, hoses and pins. Built with heavy rollers with bearings for easy movement in and out. Able to side shift up to 28" for easy alignment and use. Arms and tubing with 1/2" plate steel for long durable life. Heavy duty hitch to use with Category 3 or Category 4 tractor.

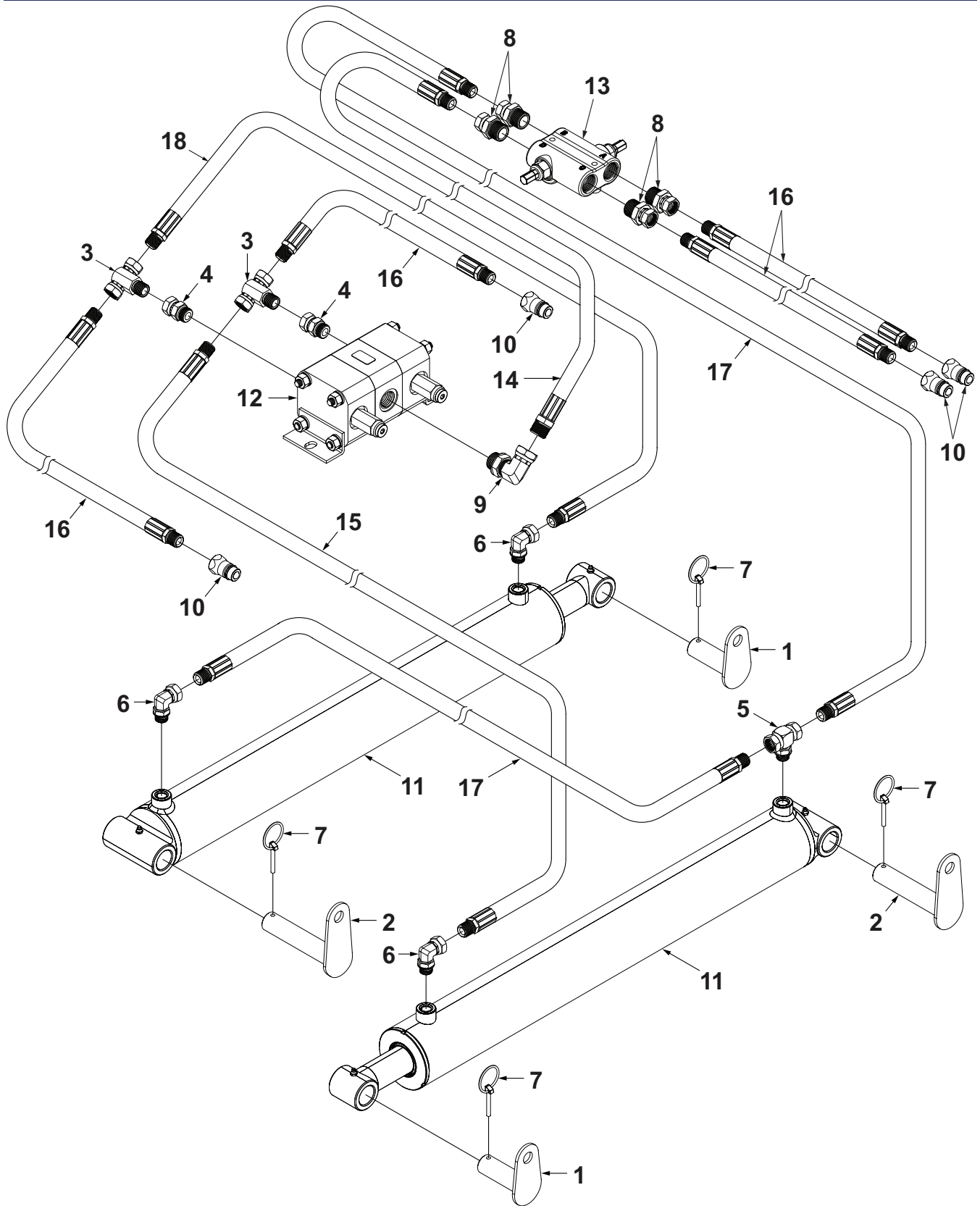
## OWNER AND PARTS MANUAL

# 07-RCBH-2085



Key	Part No.	Description	Quantity
1	07-P118-512	Pin 1-1/8" x 5-1/2"	8
2	07-P118-612	Pin 1-1/8" x 6-1/2"	8
3	09-NPC102RPC	NTN Bearings	32
4	11-WZN-38	3/8" Whiz Nuts	16
5	11-CR538114	3/8" x 1-1/4" Carriage Screws	16
6	07-RLA-3SWB	3" Roller Assembly w/ Bearings	8
7	07-RLA-4LWB	4" Roller Assembly w/ Bearings	8

# 07-RCBH-2085

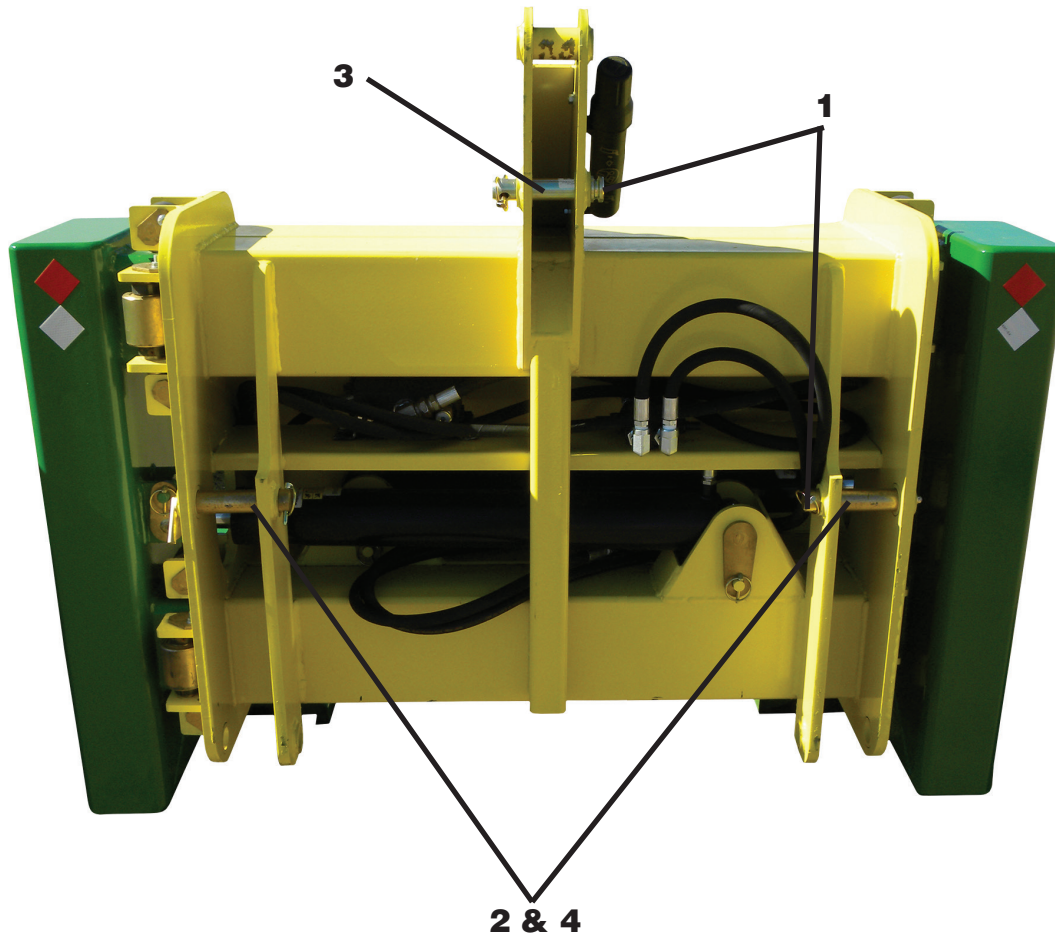


**OWNER AND PARTS MANUAL**

# 07-RCBH-2085

<b>Key</b>	<b>Part No.</b>	<b>Description</b>	<b>Quantity</b>
1	CP1316312	1-3/16" x 3-1/2" Cylinder Pin	2
2	CP1316512	1-3/16" x 5-1/2" Cylinder Pin	2
3	10-G60186-0808	8MP-8FPX-90 Fitting	2
4	10-6900-10-08-O	10MB-8FPX Fitting	2
5	10-8MO-8TFP	8FPX-8FPX-8MB Fitting	1
6	10-6901-08-08-NWO	8MB-8FPX90 Fitting	3
7	08-P794	1/4" Lynch Pin	4
8	10-G60140-1208	12MP-8FPX Fitting	4
9	10-6901-16-12-NWO	16MB-12FPX90 Fitting	1
10	10-8010-4MB	Ball Tip Coupler w/ 1/2" – 14 FNPT Threads	4
11	HY3528	3-1/2" x 28" Welded Hydraulic Cylinder	2
12	FD4F662	Hydraulic Flow Divider	1
13	127120	Double Relief Valve	1
14	10-82C24X34	24" Hydraulic Hose Assembly 1/2" MPT & 3/4" MPT	1
15	10-82C12	1/2" x 2W x 12" Hydraulic Hose Assembly	1
16	10-82C96	1/2" x 2W x 96" Hydraulic Hose Assembly	4
17	10-82C24	1/2" x 2W x 24" Hydraulic Hose Assembly	2
18	10-82C48	1/2" x 2W x 48" Hydraulic Hose Assembly	1

# 07-RCBH-2085



Key	Part No.	Description	Quantity
1	08-P7918	5/16" x 2-3/4" Lynch Pin	3
2	08-HP17167	1-7/16" x 7" Hitch Pin	2
3	08-P7711	1-1/4" x 4-3/8" Cat 3 Hitch Pin	1
4	08-B841	3-1/2" Cat 3 to 4 Hitch Pin Bushing	2

## ITEMS NOT SHOWN ON INSIDE OF ARMS

Key	Part No.	Description	Quantity
1	07-WP3312	3" x 3-1/2" Wear Pads	16
2	11-AHC-38114	3/8" - 16 x 1-1/4" Button Socket Cap	32
3	11-WZN-38	3/8" Flanged Head Whiz Nut	32